

Amazing what's possible.

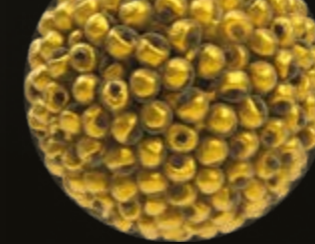
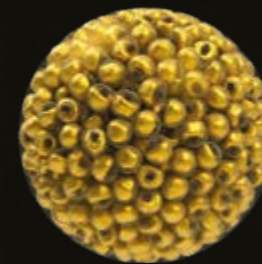
Aesthetics Solutions
**Complete solutions for Body
Contouring + Fat Transfer**

<i>Workstations</i>	04
Product information	05
<i>Vibrasat®</i>	06
Product information	09
Cannula assortment	10
Product Information	11
Consumables and Accessories	14
Commodities*	15
<i>Liposat®</i>	16
Product information	19
Consumables and Accessories	20
Commodities*	21
<i>Thermia Pro</i>	22
Product information	25
<i>Vacusat®</i>	26
Product information	29
Commodities*	30

**Not available in all countries. For more information contact our sales team.*

We proudly present

The Workstations
**A holistic Solution to
 care for viable fat cells!**



Combining *Vibrasat® Pro*, the power-assisted liposuction device with a TLA/FAT infiltration pump, (*Liposat® Pro* or *Liposat® Pro plus*), the Anti-Hypothermia-Solution (*Thermia Pro*) and the silent surgical aspirator (*Vacusat® power*) builds the complete solution for Body Contouring.

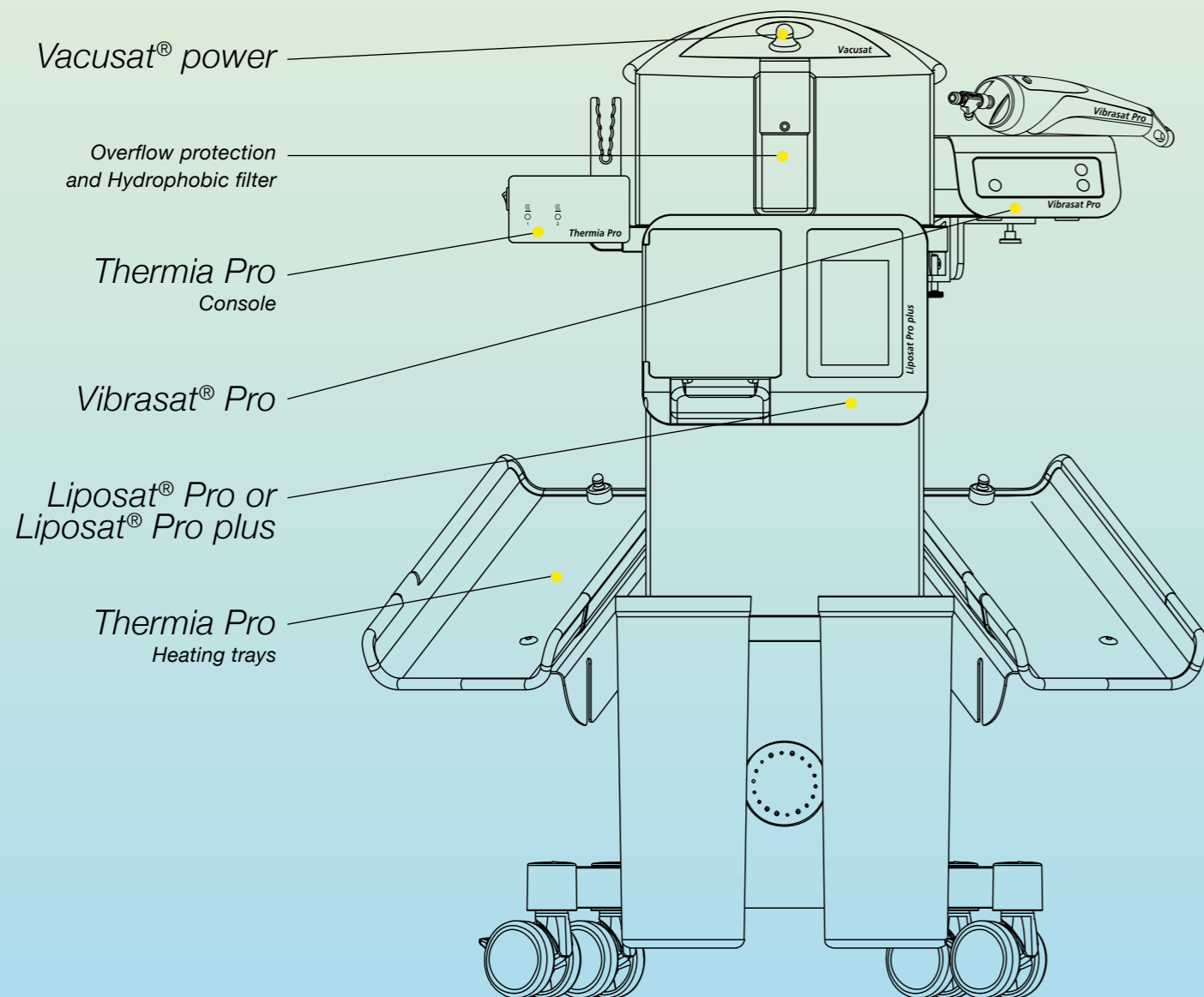
All components are perfectly compatible and harmonised to each other, guaranteeing excellent efficiency, environmentally friendly operation and a maximum in safety for your patient.

All available safety features and accessories are included: Overflow protection, hydrophobic filter, attachment kits, and a 3-Pedal footswitch.

Two options

Workstation Pro plus
 Consisting of *Vibrasat® Pro*, *Liposat® Pro plus*, *Vacusat® power*, *Thermia Pro* mounted.

Workstation Pro
 Consisting of *Vibrasat® Pro*, *Liposat® Pro*, *Vacusat® power*, *Thermia Pro* mounted.



Vibrasat® Pro
MÖLLER's latest in Power-Assisted
Liposuction technology.



For fatigue-free working with one of the most tissue-friendly technologies.

Technology

Cannula movement reciprocating and linear with an approx. length of 3 mm

Hand piece, control unit and up to two footswitches for speed control

Cannula change without tube set removal

3000 - 5000 strokes/minute

Boost mode 6000 strokes/minute

Comfort

Machine cleanable and fully autoclavable

Less heating even during long treatments

Anatomically shaped

Quiet and smooth operation

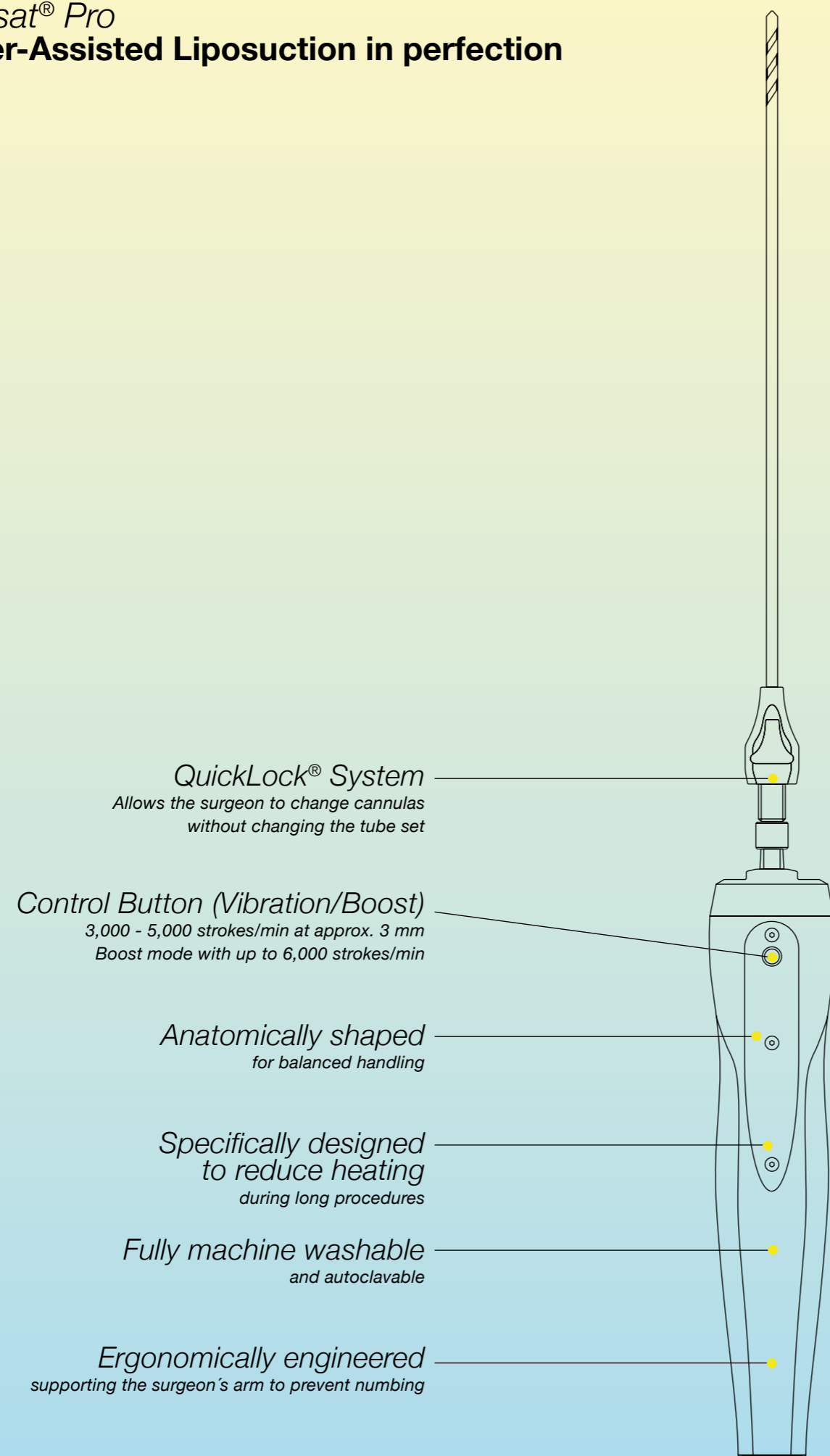
Application

Liposuction and infiltration of TLA and FAT

Liposuction
Lipedema treatment
Brazilian Butt Lift

Others

Vibrasat® Pro
Power-Assisted Liposuction in perfection



QuickLock® System

Allows the surgeon to change cannulas without changing the tube set

Control Button (Vibration/Boost)

3,000 - 5,000 strokes/min at approx. 3 mm
Boost mode with up to 6,000 strokes/min

Anatomically shaped

for balanced handling

Specifically designed

to reduce heating during long procedures

Fully machine washable

and autoclavable

Ergonomically engineered

supporting the surgeon's arm to prevent numbing

Vibrasat® Pro
Product Information

Vibrasat® Pro is our latest and most powerful Power-Assisted Liposuction device. The easy-to-use design significantly reduces fatigue, making it ideal for long procedures and helps professionals improving their patients outcome.

Vibrasat® Pro is ideal for every Body Contouring case. Its durable German design is made to withstand multiple procedures in the same day, reduce procedure times, and maximizing patient results. The Vibrasat® Pro QuickLock feature simplifies cannula exchange while the control button provides an extra boost of power when needed.

Console
REF 00003921

Wand
REF 00003922

Technical data	
Dimension (W x H x D)	170 x 90 x 205 mm
Hand piece (dia. x L)	52 x 300 mm
Weight control unit/ hand piece	1.2 kg/ 0.7 kg
Medical device class	Ila
Stroke length	approx. 3 mm
Stroke frequency	3,000 - 6,000 /min
Power supply	100 - 240 VAC, 50 - 60 Hz



Our Cannula Portfolio.
**Are you looking for fitting
cannulas for your surgeries?**

We offer the right cannula
for every application.



**All single use
cannulas are
bendable!**

Please follow the
instructions in the manual.

Extraction

Mercedes

360° | Medium volume | 3 ports

The all-time classic among liposuction cannulas. Developed in cooperation with Dr. Afschin Fatemi, it is particularly suitable for treatments which require a gentle 360° multilayer harvesting.



Double Mercedes

360° | Large volume | 6 ports

Two sets of Mercedes holes in this cannula allow 360° fat aspiration and the aspiration of a larger volume in the same time.



Triple Mercedes

360° | High volume | 9 ports

Equipped with three sets of Mercedes holes this cannula is designed for large volume extraction. This arrangement allows multi-layered adipose tissue to be extracted quickly, evenly and effectively.



Rapid Extraction

360° | High volume | 9 ports

The Rapid Extraction Cannula, developed with Dr. Afschin Fatemi, offers optimal aspiration distribution across all ports of the cannula. For fast and gentle extraction of large volumes.



Multi Rapid Extraction

360° | Super high volume | 15 ports

This cannula is the right choice for debunking fat-rich tissue areas that need to be treated evenly and efficiently.



Multi-Hole

360° | Small volume | 24 ports

This cannula is ideal for harvesting fat cells for fat transplantation. It allows the removal of adipose tissue in form of small, uniform lobules. Also ideal for fine sculpting, feathering and TLA infiltration.



Candy Cane

180° | Large volume | 3 ports

Its geometrical design makes the Candy Cane Cannula ideal for large volume fat extraction in highly fibrous tissue.



Single-Port

90° | Medium volume | Single port

The Single-Port Cannula is particularly suitable for sensitive areas. The one-sided placement of the hole offers selective and direct extraction of adipose tissue.



Tri-Port

90° | High volume | 3 ports

This cannula features three holes in a row to offer the precision of the Single-Port Cannula in combination with a higher suction volume.



Perspiratory Gland

270° | Manual extraction | Medium volume | 9 ports

Due to the abrasive hole geometry this bended cannula, developed with Dr. Afschin Fatemi, is an effective way of removing sweat glands*.



*For a complete overview, please refer to our brochure liposuction cannulas 70002295.

Extraction and Infiltration

Basket

360° | Super high volume | 3 ports

Designed for large volume infiltration, pre-tunnelling, harvesting and equalisation of tissue. Available in two configurations: 1.5 cannulas are flared to 1.5 of their tube diameter. 2.0 cannulas are flared to the double of their tube diameter at the basket.



Double Basket

360° | Super high volume | 6 ports

Double Basket Cannulas have an even greater throughput than the Basket Cannulas. Available as 1.5 cannula, which is flared to 1.5 of their tube diameter at the Double Basket.



Cannula connectors

Vibrasat® Pro QuickLock®
Single use



Vibrasat® Pro QuickLock®
Reusable



Manual Luer-Lock Cannulas

Scar Cannula - V-shaped blade

90° | Manual infiltration | Luer-Lock | Single port | Ø 1.5 mm | (17G) | Length 66 mm | Single use | Sterile

The Scar Cannula with its V-shaped blade is especially suited for the gentle cutting of connecting tissue and the injection of fat in one operation.**

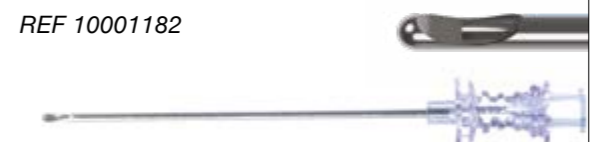


REF 10001181

Injection Cannula 1 - Straight

180° | Manual infiltration | Luer-Lock | Single port | Ø 1.6 mm | (16G) | Length 73 mm | Single use | Sterile

This cannula is perfect for the precise infiltration of small amounts of fat. The specially developed tip, with a 180° opening, reduces the risk of injury to vessels and nerves in sensitive body regions.*



REF 10001182

Inject Cannula 2 - Concave

180° | Manual infiltration | Luer-Lock | Single port | Ø 1.6 mm | (16G) | Length 73 mm | Single use | Sterile

The Injection Cannula with its concave curved shape is ideal for injecting fat into difficult to access regions. Its tip reduces the risk of injury to vessels and nerves in sensitive body regions.*



REF 10001183

Inject Cannula 3 - Convex

180° | Manual infiltration | Luer-Lock | Single port | Ø 1.6 mm | (16G) | Length 73 mm | Single use | Sterile

This cannula is designed for optimal injecting of fat into regions that are difficult to access. The tip reduces the risk of injury to vessels and nerves in sensitive body regions.*



REF 10001184

Removal Cannula

270° | Manual extraction | Luer-Lock | 2 ports | Ø 2.5 mm (13G) | Length 110 mm | Single use | Sterile

Designed for manual fat removal the open tip of this cannula allows the extraction of small amounts of fatty tissue. Can be used with syringes with Luer-Lock connector. Suitable for Stem-Cell collection.*



REF 1000118

* developed in cooperation with Dr. Afschin Fatemi | ** developed in cooperation with Dr. Luiz Toledo

Consumables and Accessories for Vibrasat®

Commodities



Handpiece
For manual liposuction
REF 00002254



QuickLock® Connector
For Vibrasat® Pro
Spare part-REF 92016792



Vibrasat® Pro mounting kit
For Vibrasat® Pro
REF 00003973*



Injection
For 10 or 20 ml LL | Sterile
10 ml REF 00002418 | 20 ml REF 00002419



3-Pedal Liposat®/
Vibrasat® Footswitch
For Vibrasat® power/ Pro |
2m wire
Spare part-REF 93003517



1-Pedal Liposat®/
Vibrasat® Footswitch
For Vibrasat® power/ Pro |
2m wire
Spare part-REF 93003545



3-Pedal Liposat®/
Vibrasat® Footswitch
For Vibrasat® power/ Pro |
5m wire
REF 00003981



1-Pedal Liposat®/Vibrasat®
Footswitch
For Vibrasat® power/ Pro |
5m wire
REF 00003982



Locking Ring
For Vibrasat® Pro (10 pcs.)
Spare part-REF 93007034



O-Rings
For Vibrasat® Pro (10 pcs.)
Spare part-REF 93007267



Nut
For Vibrasat®
Pro QuickLock®
Spare part-REF 92016794

*Non-medical product



“The cost per patient is a factor in the choice of equipment for a hospital practice. The use of the Vibrasat® for lipofilling allowed a 70% price reduction of consumable material used in comparison of our previous technique.”

The Möller Medical Vibrasat® is a versatile and complete system allowing quick, reliable, painless and cost effective surgery for large body contouring surgery and lipofilling in breast reconstruction.”

Dr. Massimo Gianfermi

Liposat® Pro plus
MÖLLER's latest
infiltration device.



Premium solution for easy and safe
infiltration of fat and TLA.

Technology

Infiltration speed adjustable
from 50 to 1,000 ml/min

Continuous tube set and a gentle
pump rotor for minimal shear forces,
in order to preserve viable fat cells

Priming function for quick
flushing of the tube set

Auto Stop Technology, pump stops
when reaching the target volume

Connections for two footswitches

Comfort

Quick and easy cleaning due to
removable rotor and smooth surfaces

Visualization of the infiltrated
volume as well as the rotor activity

User-friendly and intuitive operation

Automated tube set insertion

Application

TLA infiltration for small and large volumes
Liposuction
Vein Stripping
Sweat gland suction

Fat infiltration for small and large volumes
Hand
Face
Brazilian Butt Lift
Breast

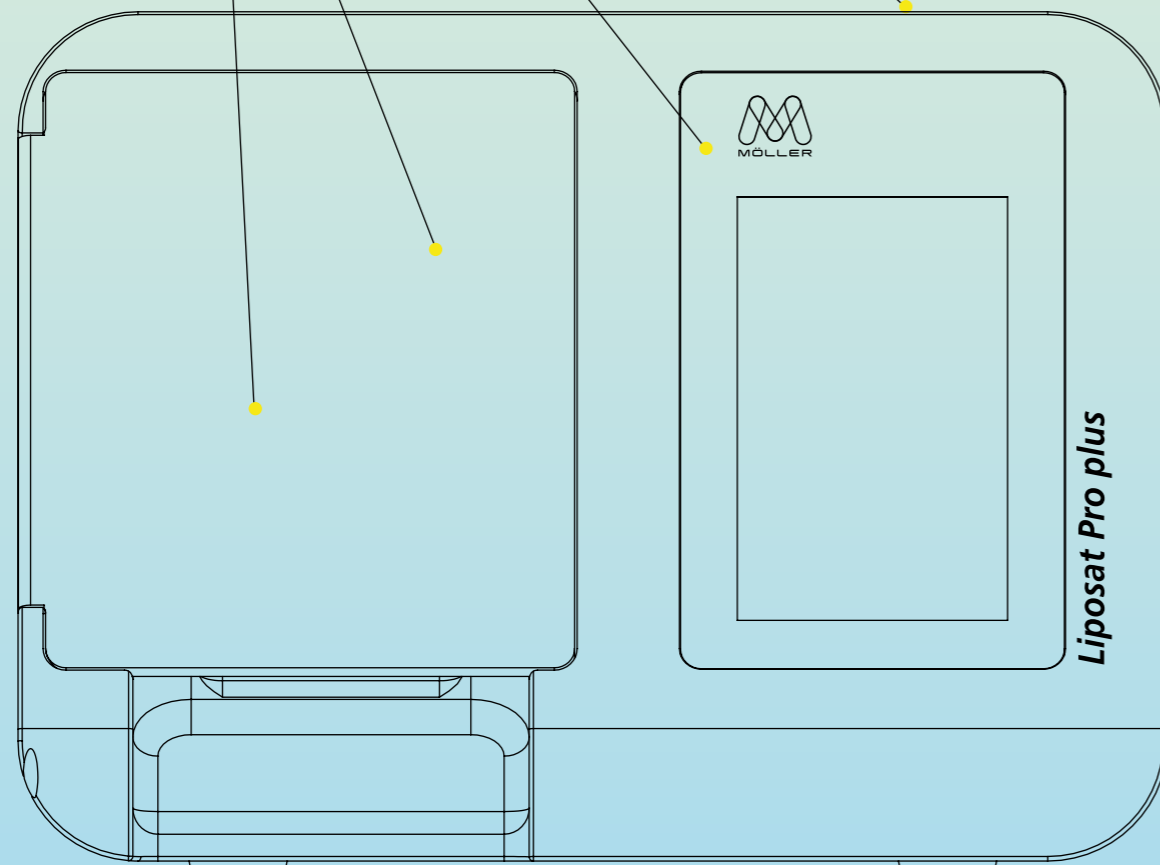
Others

FDA and CE cleared
for FAT and TLA infiltration

Display of the
infiltrated volume
Intuitive operation via touch screen

Infiltration speed from
50 to 1,000 ml/min

Gentle pump rotor
Minimal shear forces to protect
the valuable fat cells



REF 00003974

Liposat® Pro plus
High performance infiltration pump

Liposat® Pro plus - Viable fat cells matter. One pump, two solutions. Liposat® Pro plus revolutionary design is made specifically for fat transfer and TLA infiltration. Optimize your workflow, safety, and comfort while reducing procedure time. Its powerful motor has a large rotor for less shear force on fat, which is ideal for users who offer fat transfer as part of their practice. The rotor is easily removed for simple and quick cleaning when necessary. Includes a 1-Pedal footswitch.

Technical data

Dimension (W x H x D)	275 x 210 x 350 mm
Weight	6 kg
Pumping rate	50 - 1,000 ml/min
Medical device class	IIb
Accuracy of pumping rate	±15%
Power supply	100 - 240 VAC, 50 - 60 Hz

Liposat® Pro
The reliable and efficient TLA pump

Liposat® Pro, your solution for TLA infiltration. You can easily focus on your patient and the procedure while trusting the technology to work reliably, providing the highest level of safety and comfort. The automated tube set loader cuts down preparation time. The infiltration speed can be varied within a range of 50 to 300 ml/min. Liposat® Pro increases both efficiency and outcomes. Includes a 1-Pedal footswitch.



REF 00003977

Technical data

Dimension (W x H x D)	275 x 210 x 350 mm
Weight	5.8 kg
Pumping rate	50 - 300 ml/min
Medical device class	IIb
Accuracy of pumping rate	±15%
Power supply	100 - 240 VAC, 50 - 60 Hz

Consumables and Accessories for Liposat®

Commodities



Tube set
For Liposat® basic
REF 00002492



TLA Tubing Liposat®
Pro/power
For Liposat® Pro/power
REF 00002251



TLA Tubing Liposat®
Pro plus
For Liposat® Pro plus
REF 00003997



3-way tap
With 3 infusion tubes |
80cm | Sterile
REF 00002278



5-way tap
With 5 infusion tubes |
80cm | Sterile
REF 00002279



Sterican cannula
Sterile
REF 00002535



FAT Tubing Liposat®
Pro plus
For Liposat® Pro plus
REF 00003948



TLA Luer-Lock Adapter
For Vibrasat® Pro
REF 00004027



3-Pedal Liposat®/
Vibrasat® Footswitch
**For Liposat® Pro/
Pro plus | 2m wire**
Spare part-REF 93003517



1-Pedal Liposat®/Vibrasat®
Footswitch
**For Liposat® power/
Pro/ Pro plus | 2m wire**
Spare part-REF 93003545



3-Pedal Liposat®/
Vibrasat® Footswitch
**For Liposat® Pro/
Pro plus | 5m wire**
REF 00003981



1-Pedal Liposat®/Vibrasat®
Footswitch
**For Liposat® power/
Pro/ Pro plus | 5m wire**
REF 00003982



Horizontal mounting kit
For Liposat® Pro/ Pro plus
REF 00004035*



Vertical mounting kit
For Liposat® Pro/ Pro plus
REF 00004034*



“Working with MÖLLER’s Liposuction devices makes my daily work routine more comfortable, increases patients safety and shortens their regeneration process after the treatment.”

Dr. Alexander T. Hamers

*Non-medical product

Thermia Pro
Helps to lower the risk
of Hypothermia.



Difficult to handle and space consuming devices are things of the past. Vacusat® power helps to streamline your workflows!

Technology

Heating tray keeps the infiltration fluid at body temperature

Built-in temperature sensors

Connections for two heating trays

Available in two versions, as a tabletop device or for mounting on the Vacusat® power

Comfort

Practical mounting on the Vacusat® power or simple setup as stand-alone unit

Simple to operate with only one switch

Auto controlled

Application

For use in medical procedures where the heat preservation of infiltrated fluids is necessary

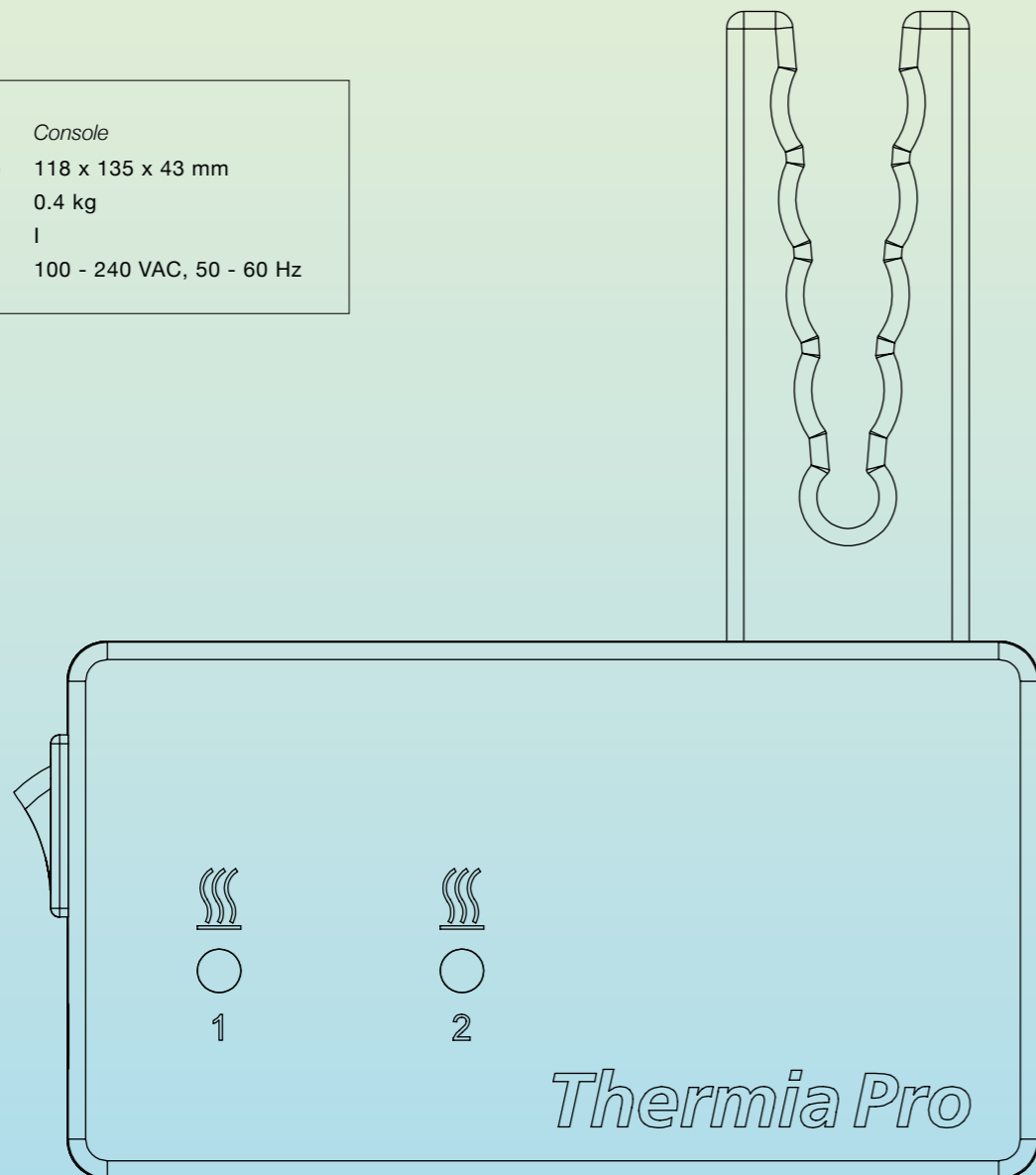
- Liposuction
- Lipedema treatment
- Vein stripping
- Sweat gland suction
- Abdominoplasty
- Arthroscopy

Others

Thermia Pro Console
The control unit for well-tempered TLA solution

Thermia Pro Console controls the connected *Thermia Pro Heating Trays* automatically. It is easy to use and simply attachable to *Vacusat® power* or the *Thermia Pro Heating Trays* stand-alone. Using *Thermia Pro* can help to lower the risk of Hypothermia.

Technical data	Console
Dimension (W x H x D)	118 x 135 x 43 mm
Weight	0.4 kg
Medical device class	I
Power supply	100 - 240 VAC, 50 - 60 Hz



REF 00004249

Thermia Pro Heating Trays mounted
The Anti-Hypothermia-Solution attachable to Vacusat® power

Thermia Pro Heating Trays mounted keep preheated TLA solution at body temperature to help to lower the risk of Hypothermia even during the longest procedures. *Thermia Pro Heating Trays mounted* consists of two Heating Trays which are attachable to the *Vacusat® power*. In combination with the *Thermia Pro Console* they can ease workflows, as they keep an eye on the infiltration temperature.



REF 00002542

Thermia Pro mounted (Set)

Consists of *Thermia Pro Console* and *Thermia Pro Heating Trays mounted*
REF 00004253

Thermia Pro Heating Trays stand-alone
The independent Anti-Hypothermia-Solution

Thermia Pro Heating Trays stand-alone keep preheated TLA solution at body temperature to help to lower the risk of Hypothermia even during the longest procedures. *Thermia Pro Heating Trays stand-alone* consists of two Heating Trays with an attached stand which can be placed on a table. In combination with *Thermia Pro Console* they can ease workflows, as they keep an eye on the infiltration temperature.



REF 00002286

Thermia Pro stand-alone (Set)

Consists of *Thermia Pro Console* and *Thermia Pro Heating Trays stand-alone*
REF 00004255

Technical data	Heating Trays mounted	Heating Trays stand-alone
Dimension (W x H x D)	463 x 213 x 132 mm	463 x 204 x 259 mm
Weight	1.9 kg (each)	2.7 kg (each)
Medical device class	I	I
Power supply	<i>Thermia Pro Console</i>	<i>Thermia Pro Console</i>

Vacusat®
The silent surgical aspirator



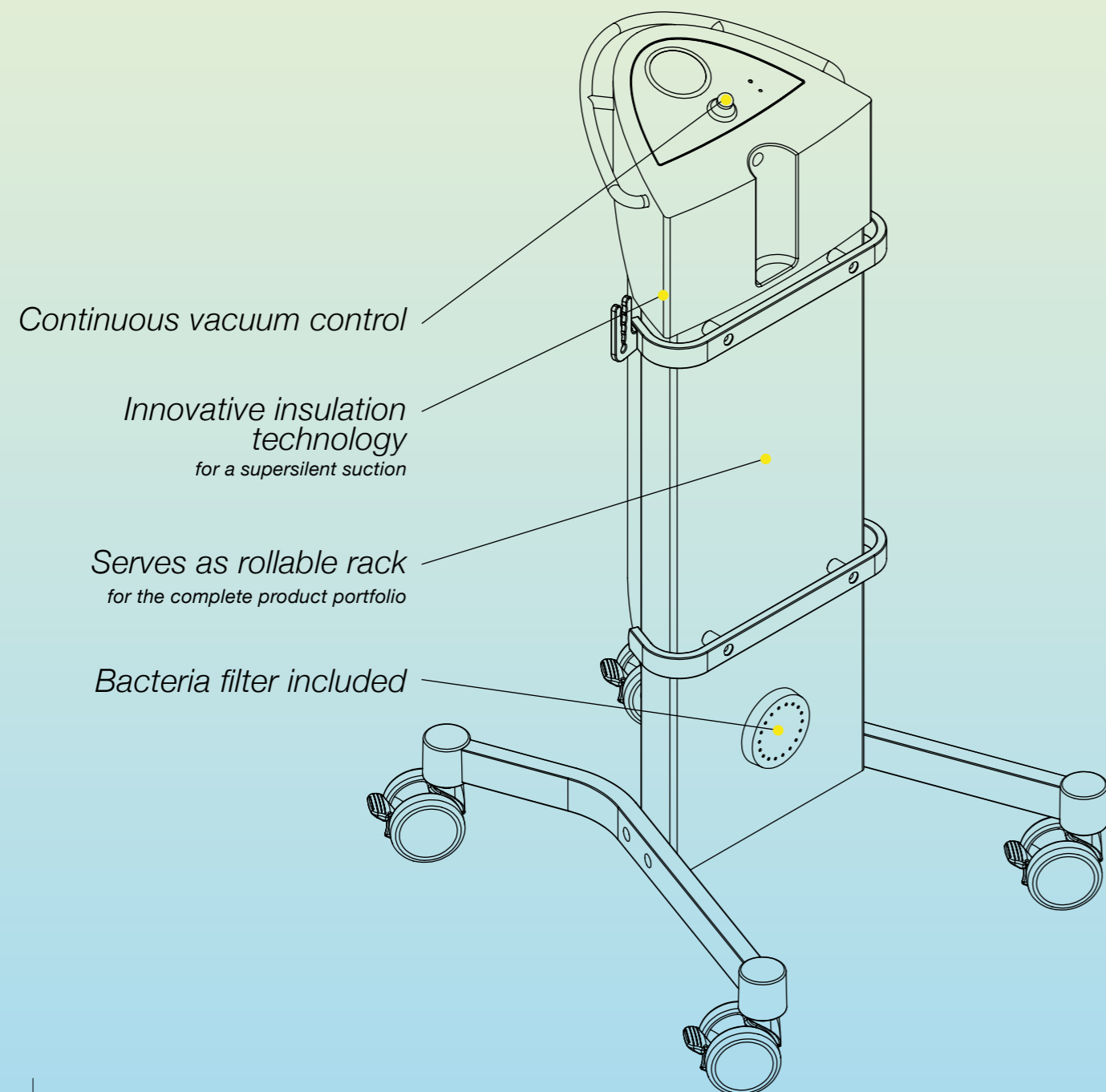
Vacusat® power
The easy working
surgical aspirator.



Vacusat® power helps to streamline your workflows! Difficult to handle and space consuming devices are things of the past.

Technology	Comfort	Application
Provides a vacuum of approx. -90 kPa	Serves as cart for all devices included in the Workstations	Suction of fat and body fluids Liposuction Lipedema treatment
Suction power 58 l/min (50 Hz)	Easy to operate	
Continuous vacuum control	Rollable and compact assembly	Others
Acoustic volume of 53 dB(A)		

Vacusat®
The silent surgical aspirator



Vacusat® power
Product information

The Vacusat® power surgical suction device is an extremely powerful piece of equipment which is both quick and simple to operate. Thanks to its innovative insulation technology, it is one of the quietest suction devices of its class.

*Following accessories
are already included*

- Pneumatic Footswitch
- Vacuum connecting tube
- Serial tube
- Vacuum serial tube
- 2 rail clamps
- 2 containers
- 2 disposable containers
- 10 bacteria filter blades



REF 00002252

Technical data

Dimension	1,000 x 500 x 560 mm
Weight	26 kg
Suction power	58 l/min ± 6 l/min at 50 Hz
Medical device class	Ila
Vacuum	-90 kPa on NN (normal null; 100 kPa = 1 Bar = 1,000 mbar)
Power supply	100 - 240 VAC, 50 - 60 Hz
Current consumption	1.1 A
Fuse	T 1.6 A H

Commodities

Commodities



Vacuum connection tube
Silicone
REF 00002255



Vacuum serial tube
Silicone
REF 00002259



Serial tube
With ankle blue 287mm
REF 00002260



Suction tube
3 m | 1 funnel | Sterile
REF 00002264



Suction tube
3 m | 2 funnels | Sterile
REF 00002430



Filter blade
For Vacusat® power
REF 00002296



Disposable container
3 ltr. | green
REF 00002256



Rail clamp
For equipment rail
REF 00002258



Hydrophobic filter
For overflow protection
REF 00002297



Overflow protection
For Vacusat® power
REF 00002299



Container
For disposable bags | 3 ltr.
REF 00002257



Tray
For Vacusat® power
| Spare part-REF 92018855



Vacusat® Footswitch
For Vacusat® power
REF 00002656



Vacuum Switch
For Vacusat® power
REF 00004288



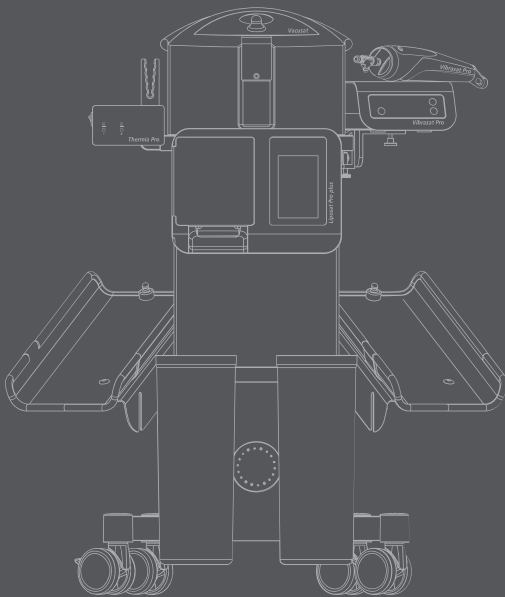
“The button on the new Vibrasat® is great and the new boost function is very beneficial for certain surgical cases.”

Dr. Afschin Fatemi



Moeller Medical Devices USA Inc.
400 South Pearl Street
Albany, NY 12202
info@us.moeller-medical.com

Möller Medical GmbH
Wasserkuppenstrasse 29-31
36043 Fulda, Germany
info@moeller-medical.com



www.moeller-medical.com

REF: 70001981 09-2022 H